

# MAST/RAIL MOUNT SS 1"-14NF

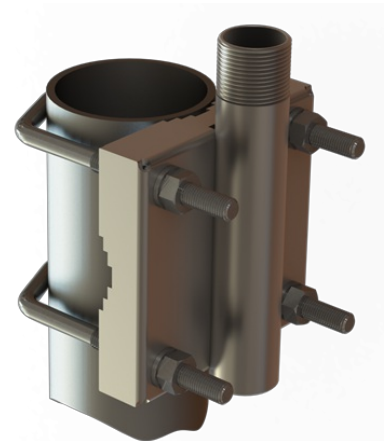
## Stainless Steel Mast/Rail Mounting Bracket 1"-14NF

- Polished marine grade AISI-316 stainless steel pole bracket
- Easy mounting on vertical and horizontal poles
- Especially made for installation of maritime, satcom and GPS antennas with internal 1"-14NF threaded bases
- Stainless steel hardware included



## MECHANICAL SPECIFICATIONS

Color	Polished
Weight	580 g (Hardware included)
Mounting place	On vertical or horizontal pole or rail with diameter Ø 30-60 mm. Optionally mounting on wall with screws (not supplied)
Materials	Polished high grade AISI-316 stainless steel
For Antenna Types	Marine, satcom and GPS antennas accepting US-style 1"-14NF threaded stud brackets
Dimensions	130 x 92.5 x 40 mm



## ORDERING INFORMATION

10000-123	Individually packing in Carton box
-----------	------------------------------------

## PACKAGING INFORMATION

Type	Bulk packing or individually packing in Polybag or Carton box (See "ORDERING INFORMATION")
Size	205 x 105 x 75 mm
Weight	660 g

